



PROPRIETARY AND CONFIDENTIAL
 THE INFORMATION CONTAINED IN THIS DRAWING IS THE SOLE PROPERTY OF XLT Systems Pte Ltd. ANY REPRODUCTION IN PART OR AS A WHOLE WITHOUT THE WRITTEN PERMISSION OF XLT Systems Pte Ltd IS PROHIBITED.

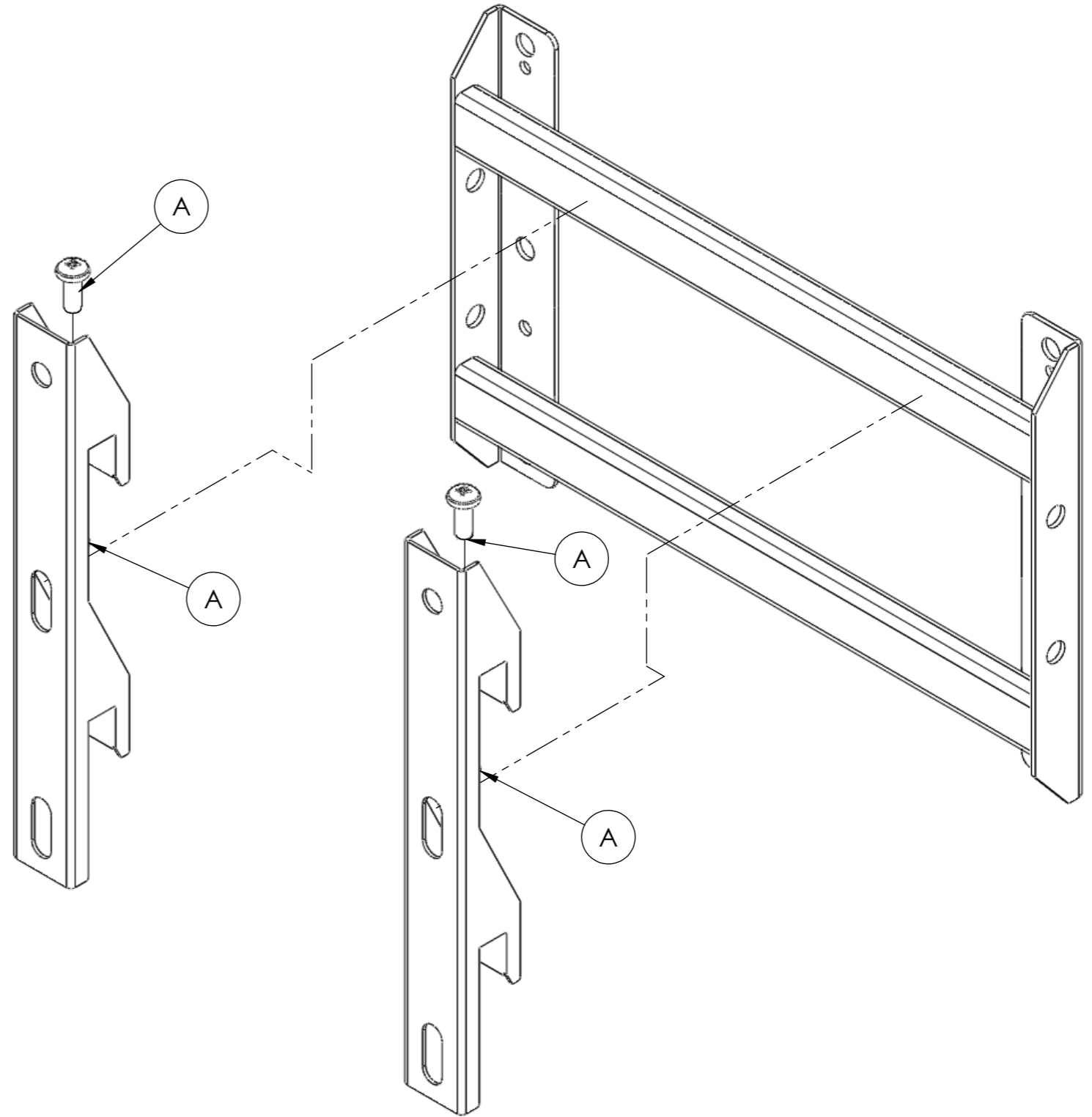
PROJECT TITLE:					DRAWN BY:  YEO 05/10/2022	
					CHECKED BY:	
					APPROVED BY:	
No	REVISION	DATE	NAME	SCALE 1:2 SHEET : 1/2		

CUSTOMER: --		EQUIPMENT / PROJECT NAME		MATERIAL	
		WL-2649		MS	
		PART NAME		TREATMENT	
		ASSEMBLY DRAWING		BLACK POWDER COAT	
		PART NUMBER		QTY	
		WL-2649 ASSY		01	

WL-2649 INSTALLATION INSTRUCTIONS

NO MOUNTING MATERIAL IS PROVIDED. PLEASE ENGAGE PROFESSIONAL INSTALLER SHOULD YOU DON'T KNOW HOW TO INSTALL OR CALL LOCAL DEALER FOR ASSISTANCE. MAKE SURE THAT THE CEILING STRUCTURE CAN SUPPORT AT LEAST FOUR TIMES THE TOTAL WEIGHT OF THE BRACKET WITH THE TV.

SCREW LIST			
ITEM	QUANTITY	DESCRIPTION	
A	4	M6 BUTTON HEAD	



PROPRIETARY AND CONFIDENTIAL

THE INFORMATION CONTAINED IN THIS DRAWING IS THE SOLE PROPERTY OF XLT Systems Pte Ltd. ANY REPRODUCTION IN PART OR AS A WHOLE WITHOUT THE WRITTEN PERMISSION OF XLT Systems Pte Ltd IS PROHIBITED.

PROJECT TITLE:

CUSTOMER: --

DRAWN BY:  YEO 05/09/2023

CHECKED BY:

APPROVED BY:

EQUIPMENT / PROJECT NAME

WL-2649 INSTALLATION GUIDE

PART NAME

ASSEMBLY DRAWING

PART NUMBER

WL-2649 ASSY

MATERIAL MS

TREATMENT BLACK POWDER COAT

QTY 01

No	REVISION	DATE	NAME



SCALE 1:2 SHEET : 2/2