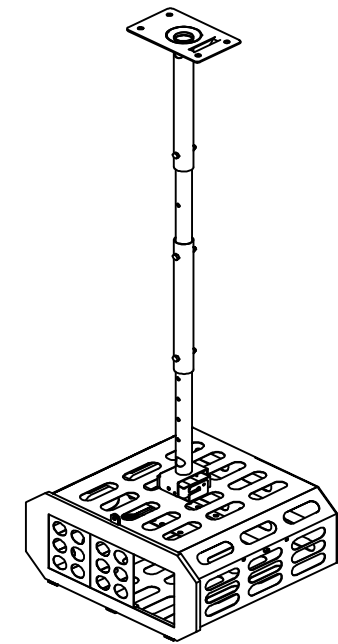
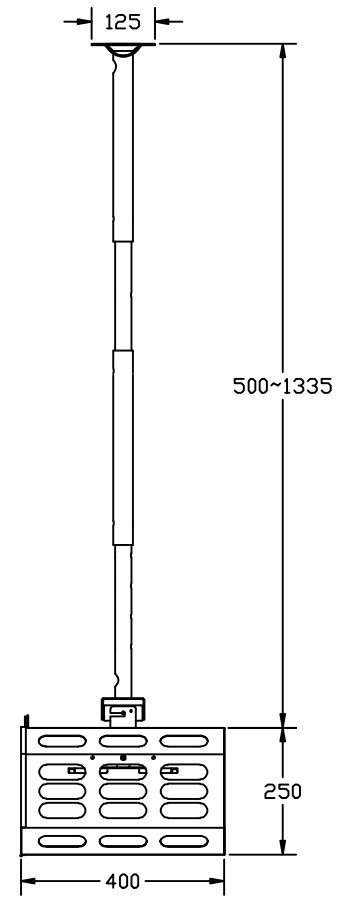
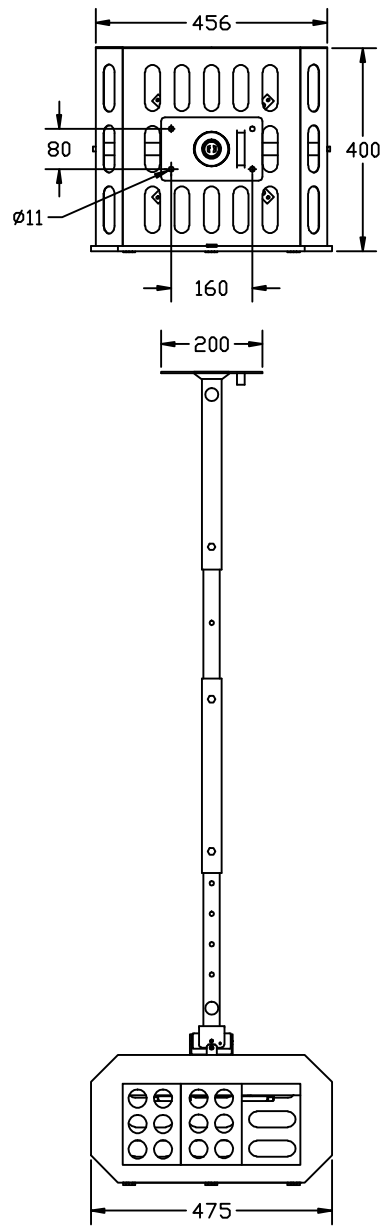


REV	
DATE	
REMARK	UPDATED ON JAN 2011

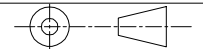


XLT SYSTEMS PTE LTD
SINGAPORE

PART NO.
DRAWN BY : NANG
CHECKED BY :
APPROVED BY :

DATE :

DRAWING FILE : CP 515
DESCRIPTION : PROJECTOR BRACKET WITH ANTI-THEFT CAGE



SCALE : NTS
UNIT : MM

MATERIAL : MILD STEEL
TREATMENT : POWDER COAT
QUANTITY :
SHEET NO. -