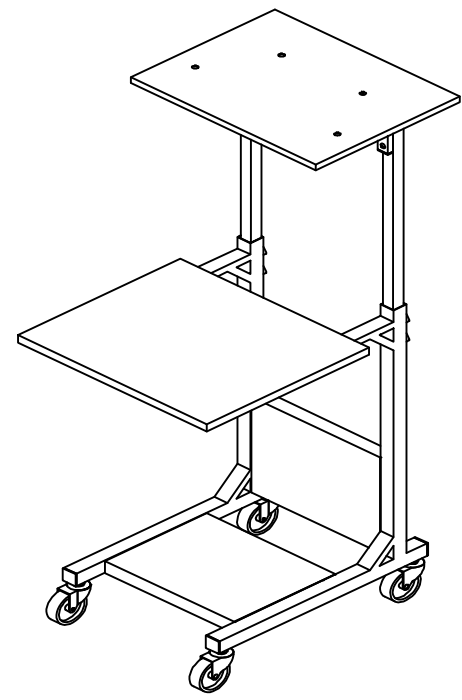
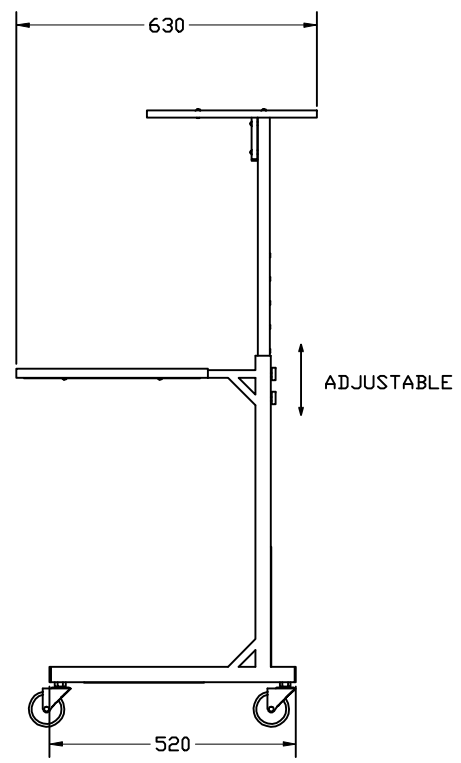
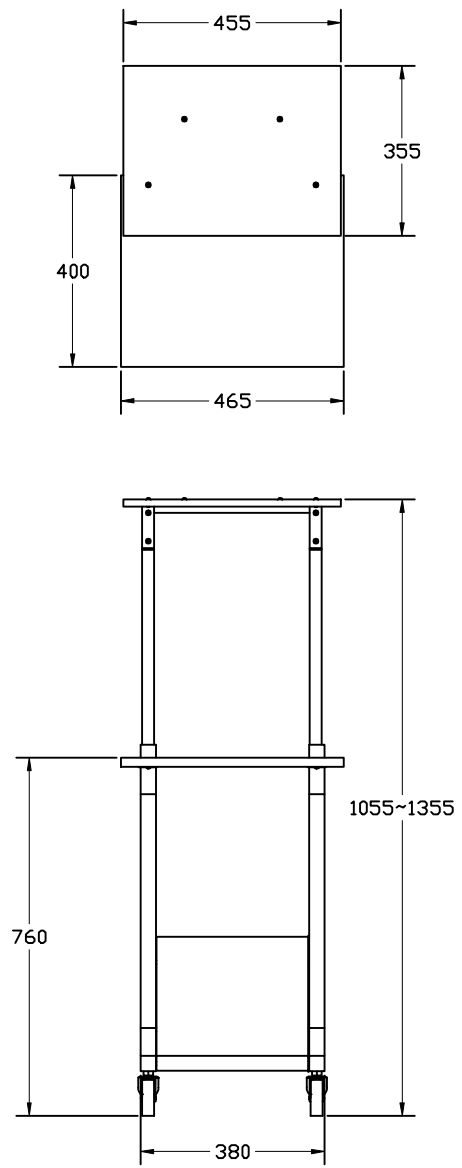


REV	
DATE	
REMARK	UPDATED ON JAN 2011



XLT SYSTEMS PTE LTD
SINGAPORE

PART NO.	
DRAWN BY : NANG	DATE :
CHECKED BY :	
APPROVED BY :	

DRAWING FILE : CP 613	
DESCRIPTION : PRESENTATION STATION	
SCALE : NTS	
UNIT : MM	

MATERIAL : MILD STEEL
TREATMENT : POWDER COAT
QUANTITY : -
SHEET NO. -