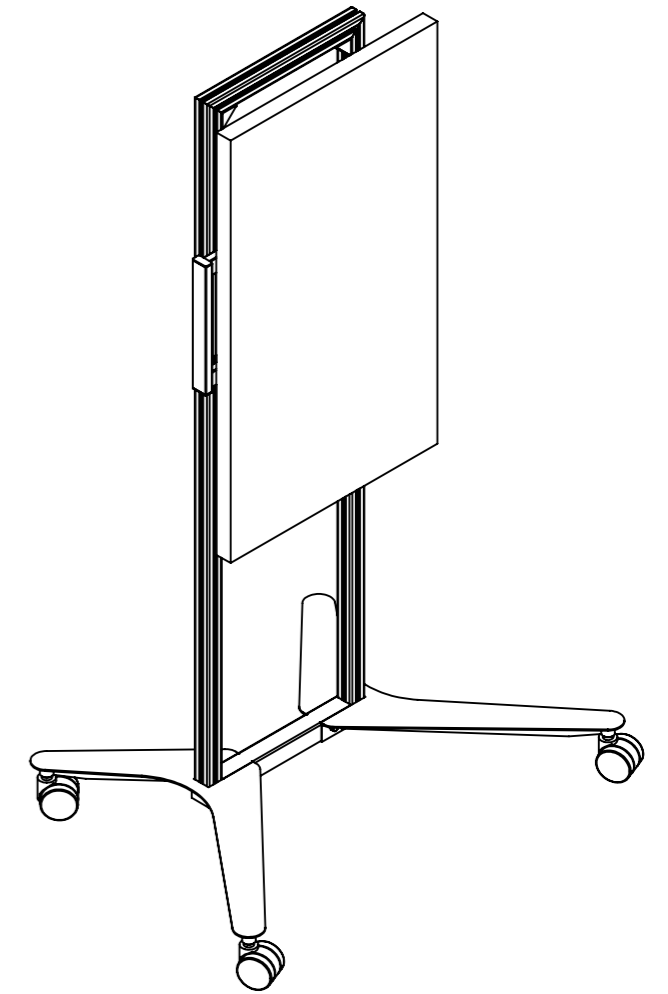
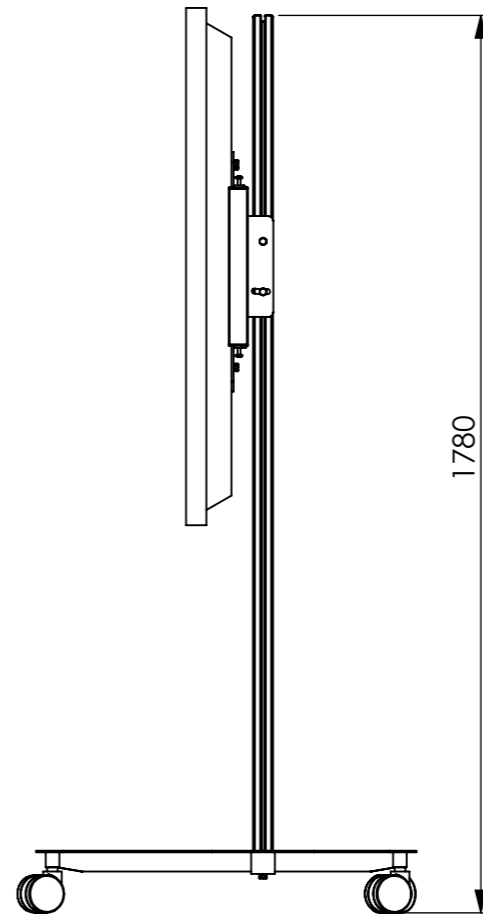
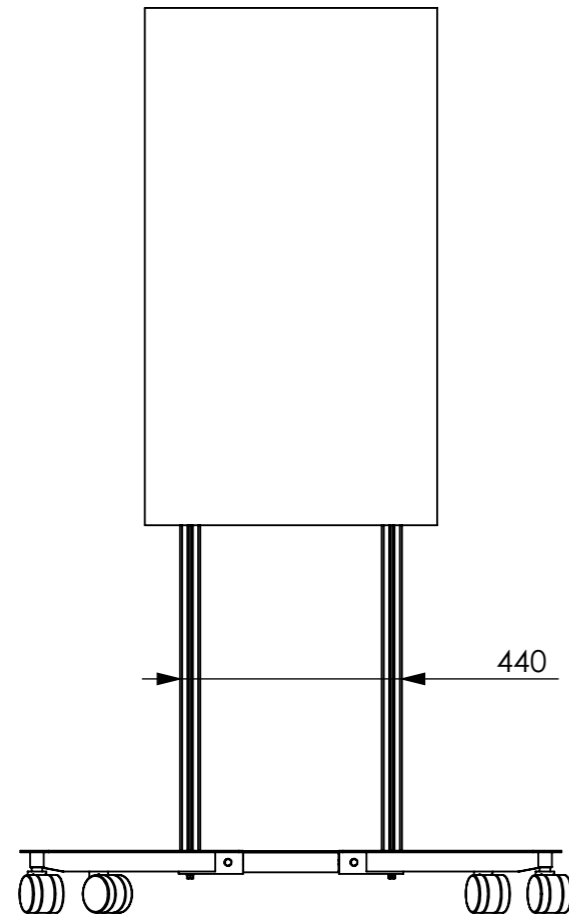
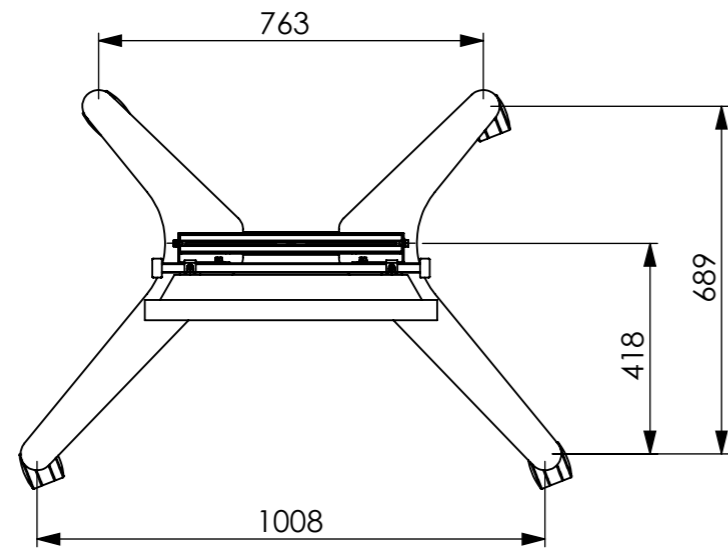


WP-818 STAND ASSEMBLY



PROJECT TITLE:

CUSTOMER:

XLT ENGINEERING SDN BHD
39, JALAN SATHIA 7, TMN PREINDUSTRIAN JB PERDANA
SKUDAI 81300 JB, JOHORE, MALAYSIA

DRAWN BY: RAJ 28/05/2013
CHECKED BY:
APPROVED BY:

EQUIPMENT / PROJECT NAME
WP818 PLASMA STAND

MATERIAL
MS

PART NAME
ASSEMBLY DRAWING

TREATMENT
GREY POWDER COAT

No	REVISION	DATE	NAME



SCALE 1:15 SHEET : 3/3

PART NUMBER
WP818-BASE-ASSEMBLY

QTY
01