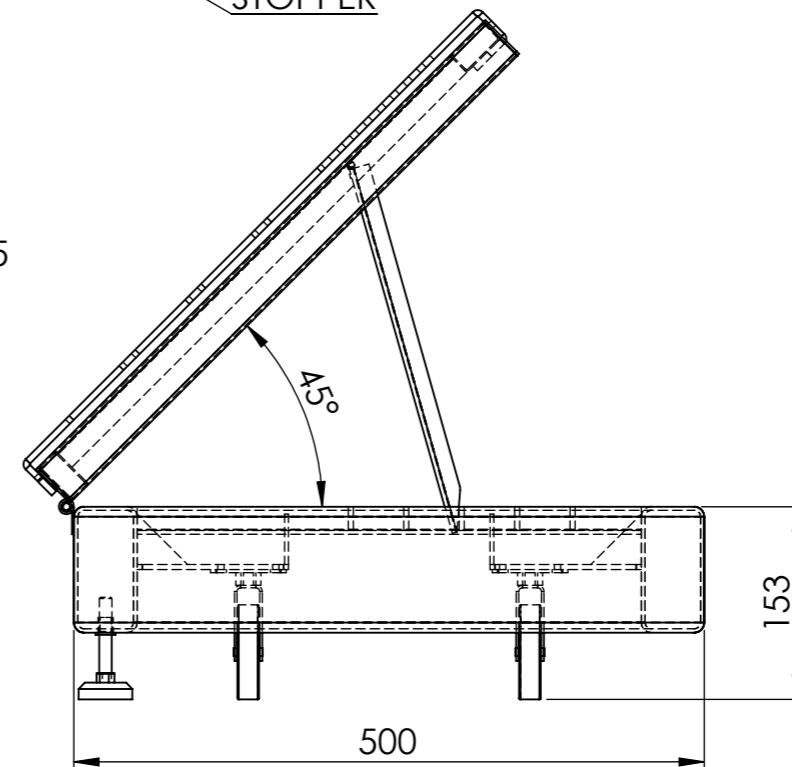


DETAIL A
SCALE 1 : 5



STOPPER

XLT SYSTEMS PTE LTD
SINGAPORE

PROJECT TITLE:

CUSTOMER:

DRAWN BY: YEO 26/11/2014

EQUIPMENT / PROJECT NAME

MATERIAL MS

CHECKED BY:

WP310 MAIN ASSEMBLY

APPROVED BY:

PART NAME

ASSEMBLY DRAWING

TREATMENT
BLACK POWDER COAT

No

REVISION

DATE

NAME



SCALE 1:10

SHEET : 1/1

PART NUMBER

WP310 MAIN ASSEMBLY

QTY

01