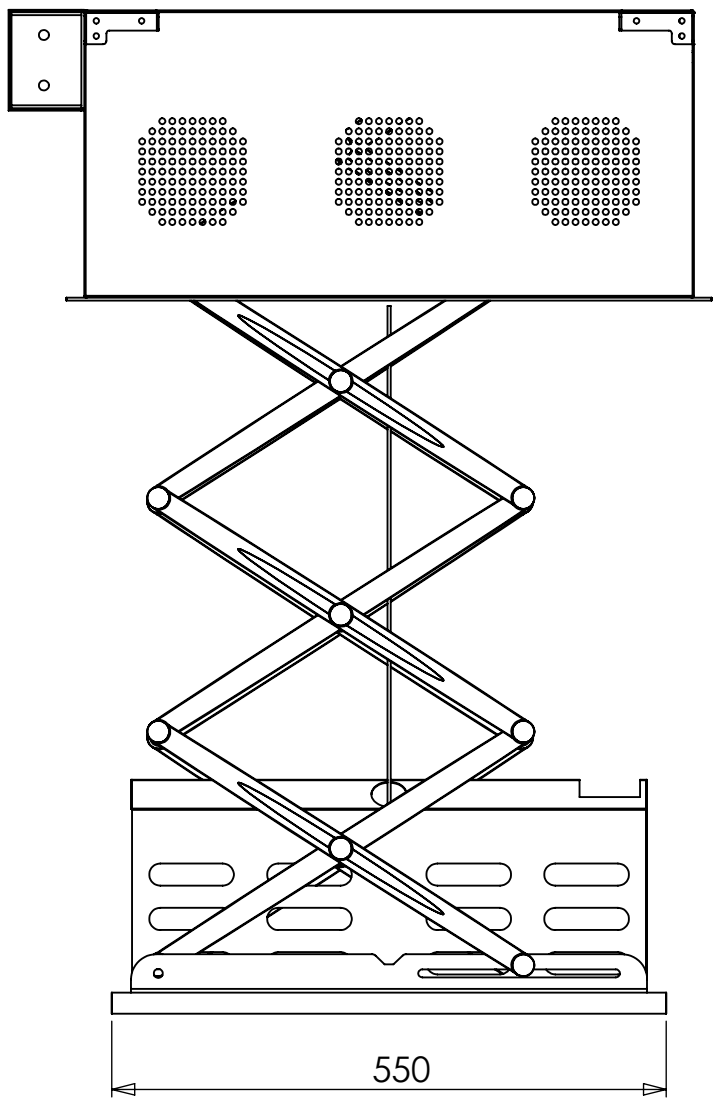
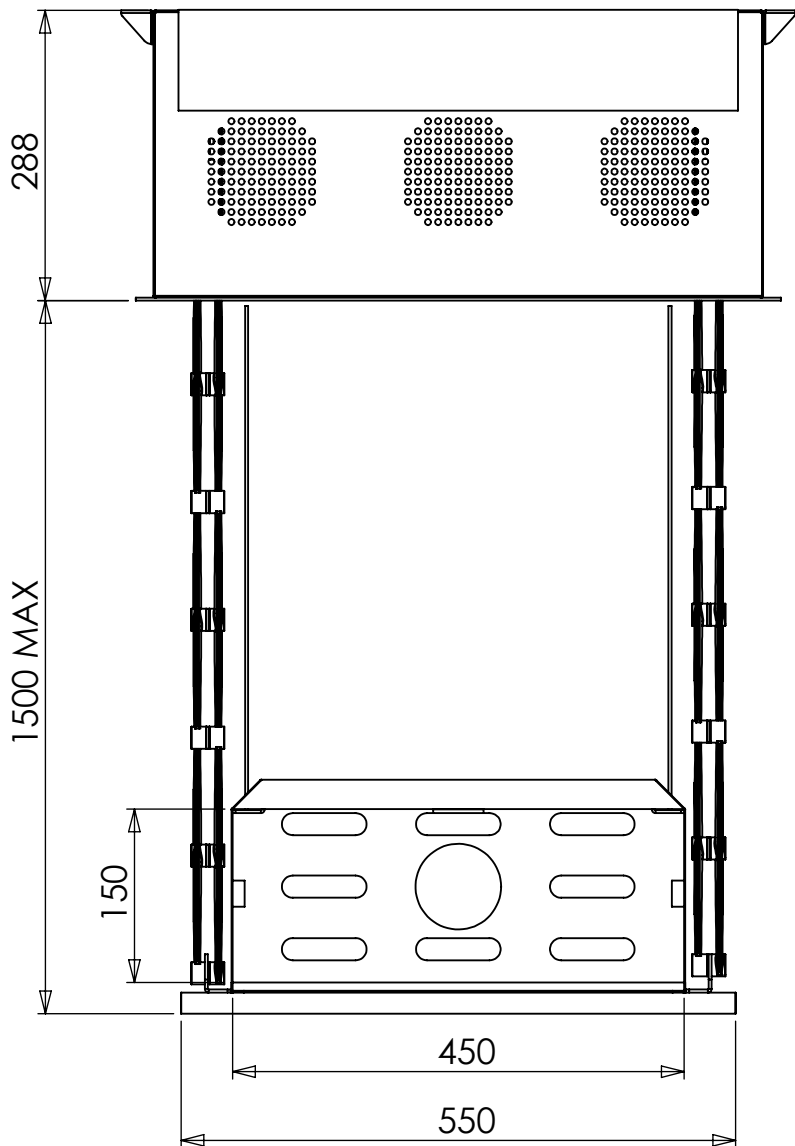
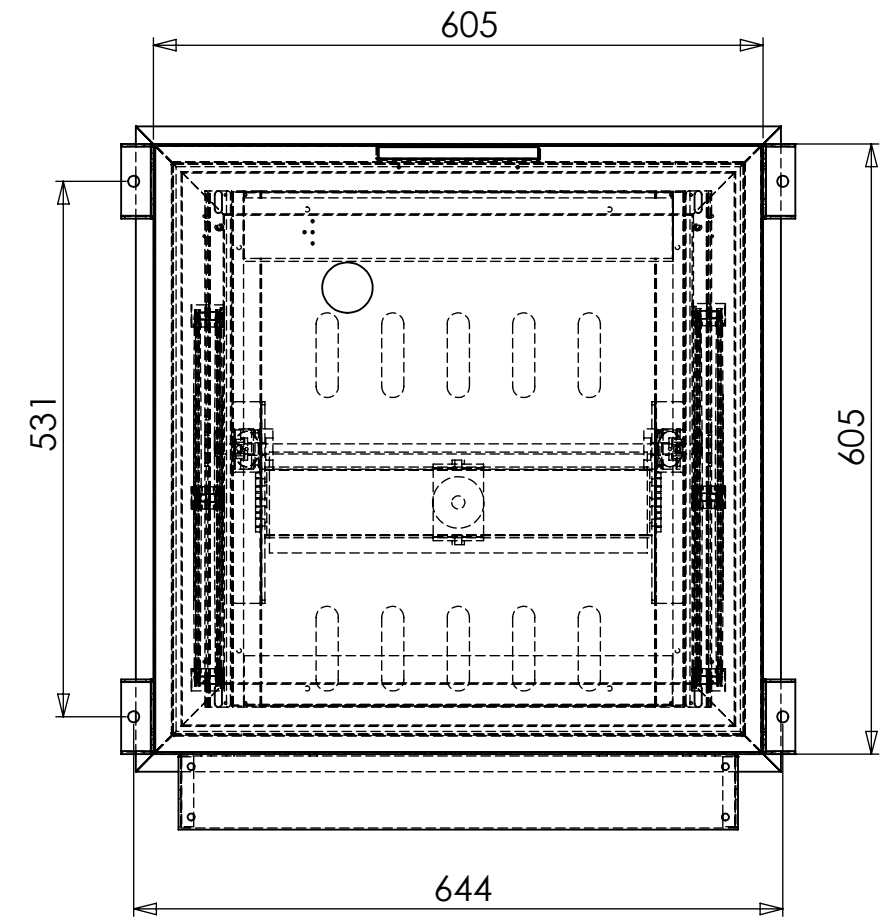


XCU-180 SCISSOR LIFT  
26-12-2013



XCU-180 SCISSOR LIFT  
26-12-2013

