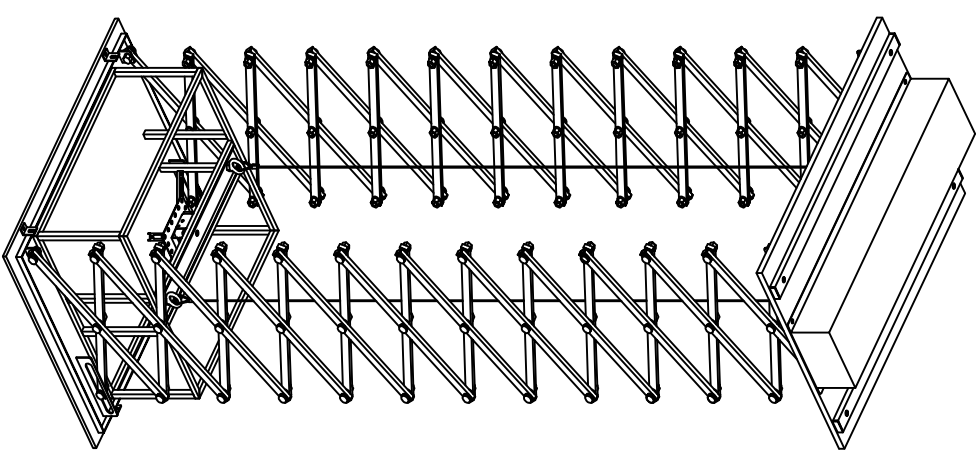
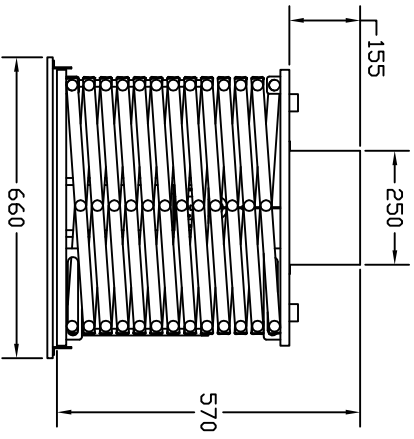
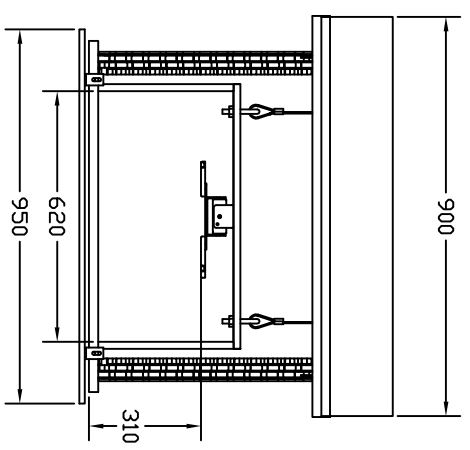
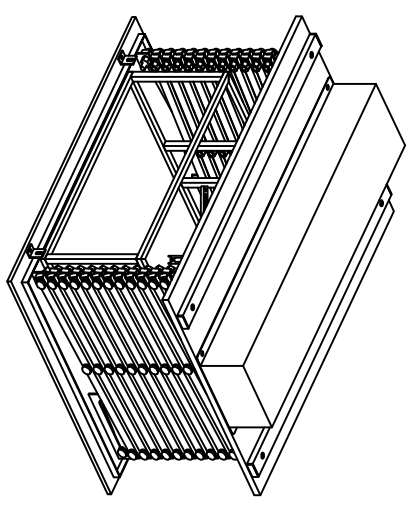
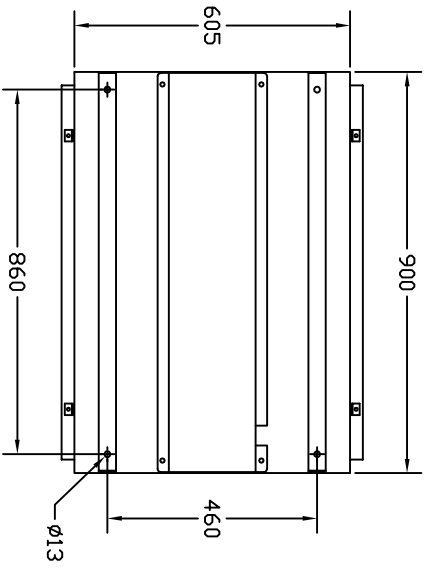


| | |
|--------|---------------------|
| REV | |
| DATE | |
| REMARK | UPDATED ON JAN 2017 |



MAXIMUM LOWERING DISTANCE 4000 MM

XLT SYSTEMS PTE LTD
SINGAPORE

| | | |
|----------------|----------------------------|-----------------|
| PART NO. | DRAWING FILE : SC 40 | MATERIAL : --- |
| DRAWN BY : YEO | DESCRIPTION : SCISSOR LIFT | TREATMENT : --- |
| CHECKED BY : | SCALE : NTS | QUANTITY : |
| APPROVED BY : | UNIT : MM | SHEET NO. - |

