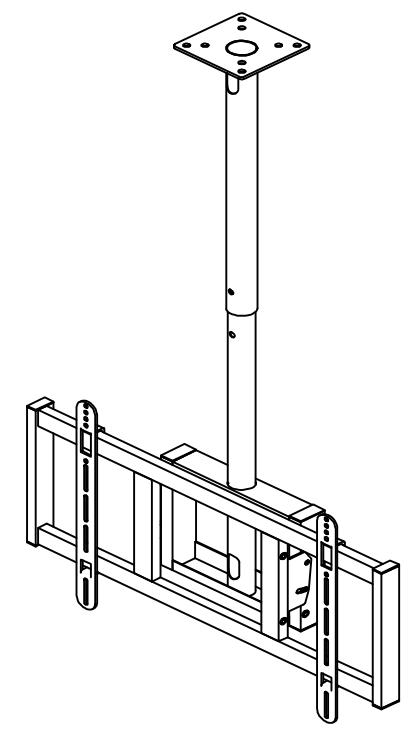
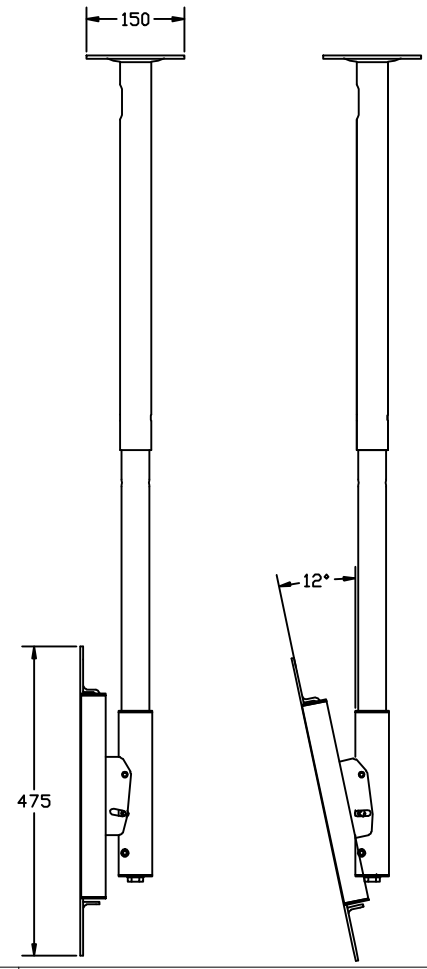
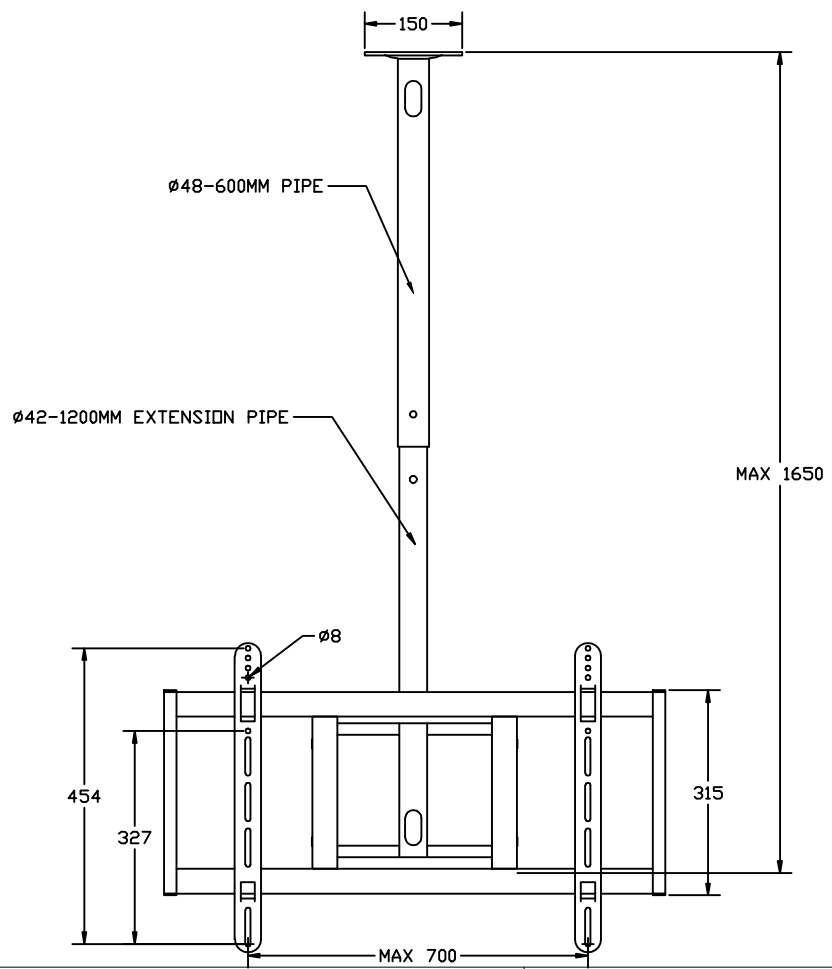
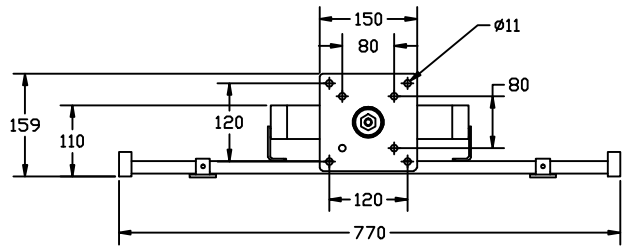


REV	
DATE	
REMARK	UPDATED ON JAN 2011



XLT SYSTEMS PTE LTD
SINGAPORE

PART NO.	
DRAWN BY : NANG	DATE : 10/07/09
CHECKED BY :	
APPROVED BY :	

DRAWING FILE : WL 713C CEILING MOUNT	
DESCRIPTION : CEILING MOUNT PLASMA BRACKET	
SCALE : NTS	
UNIT : MM	

MATERIAL : MILD STEEL
TREATMENT : POWDER COAT
QUANTITY :
SHEET NO. -