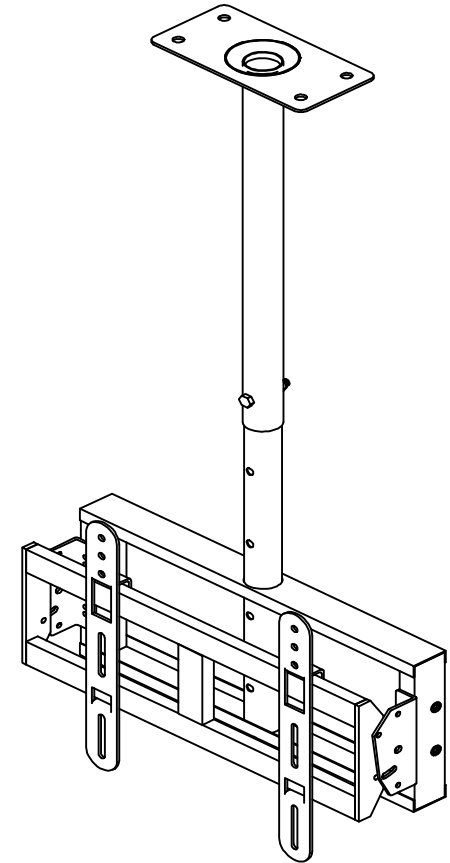
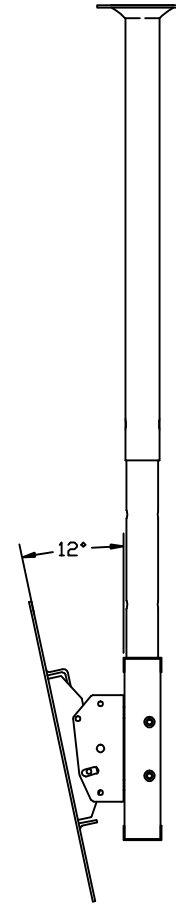
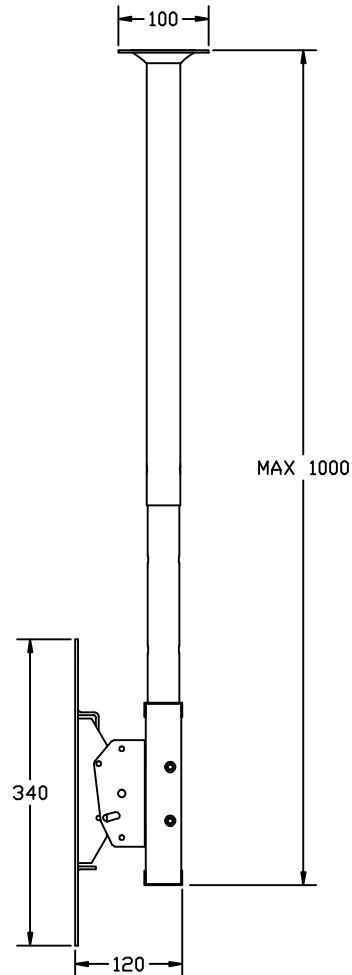
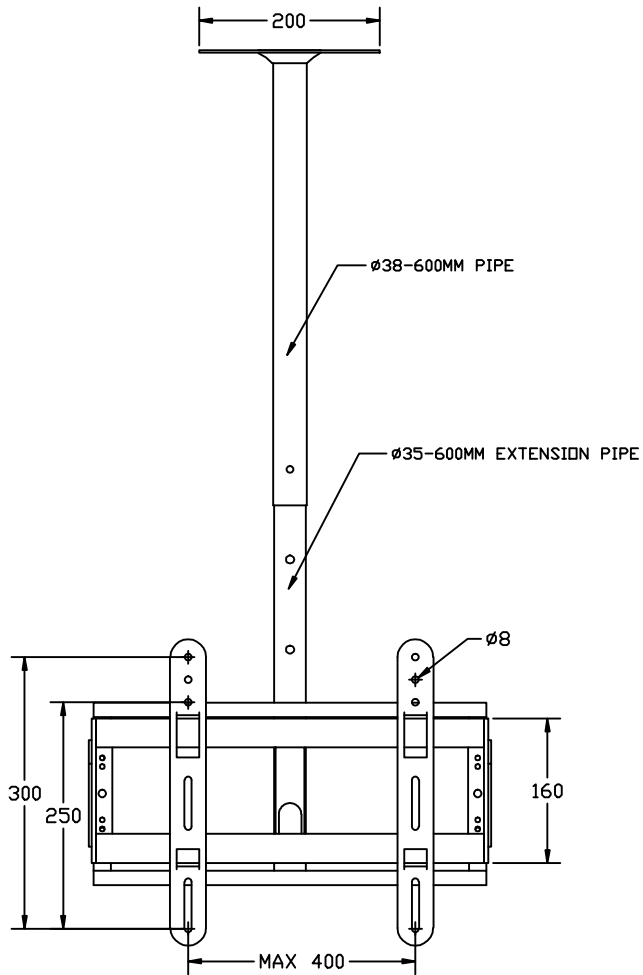
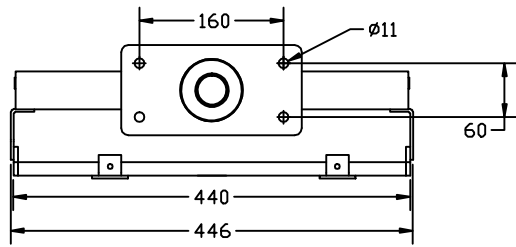


REV	
DATE	
REMARK	UPDATED ON JAN 2011



XLT SYSTEMS PTE LTD
SINGAPORE

PART NO.

DRAWN BY : NANG

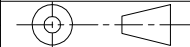
CHECKED BY :

APPROVED BY :

DATE :

DRAWING FILE : WL -2037C

DESCRIPTION : CEILING MOUNT LCD BRACKET



SCALE : NTS

UNIT : MM

MATERIAL : MILD STEEL

TREATMENT : POWDER COAT

QUANTITY :

SHEET NO. -