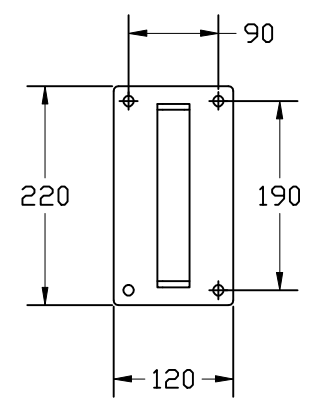
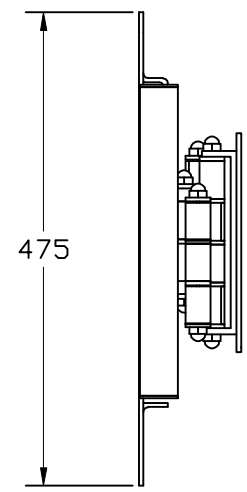
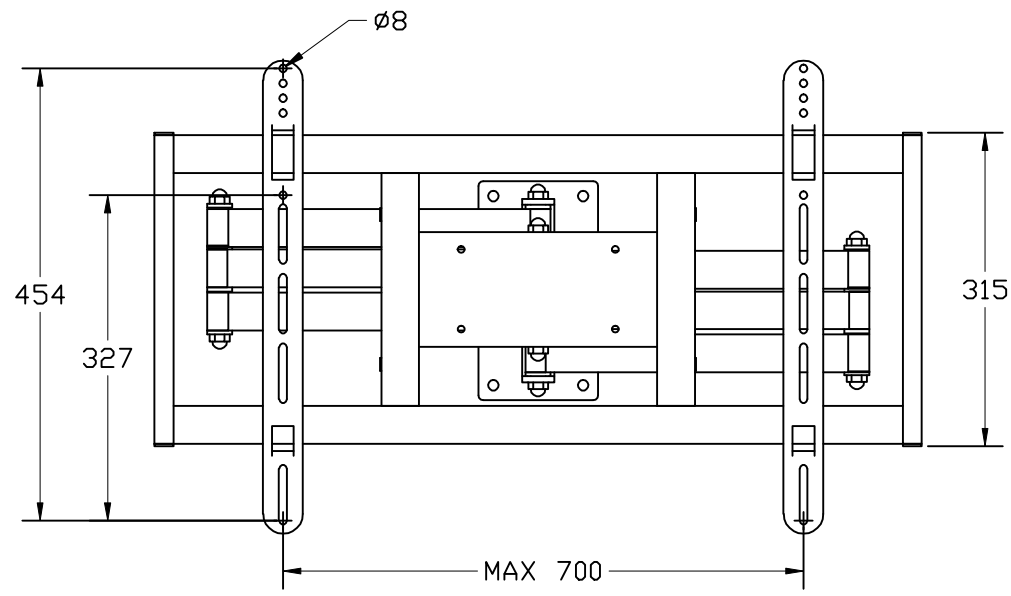
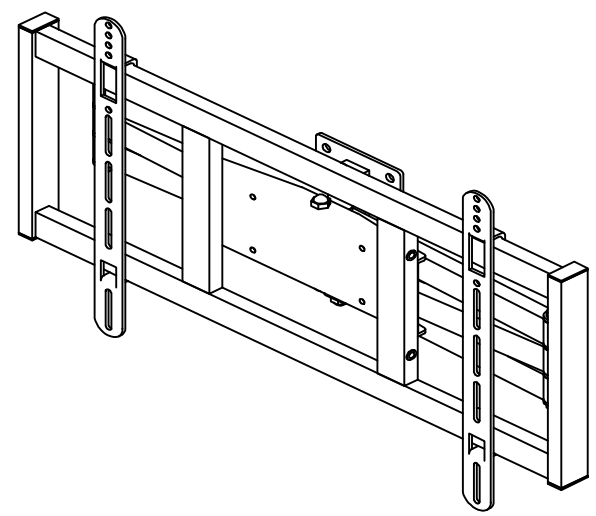
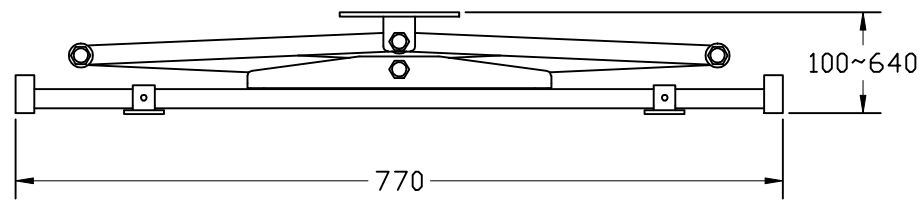


REV	
DATE	
REMARK	UPDATED ON JAN 2011



WALL MOUNTING PLATE

XLT SYSTEMS PTE LTD  
SINGAPORE

PART NO.	
DRAWN BY : NANG	DATE : 11/05/10
CHECKED BY :	
APPROVED BY :	

DRAWING FILE : WP 700	
DESCRIPTION : WALL MOUNT FOLDABLE PLASMA BRACKET	
SCALE : NTS	
UNIT : MM	

MATERIAL : MILD STEEL	
TREATMENT : POWDER COAT	
QUANTITY : -	
SHEET NO. -	

