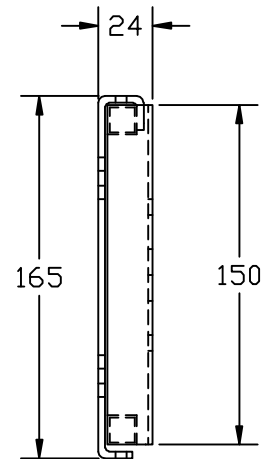
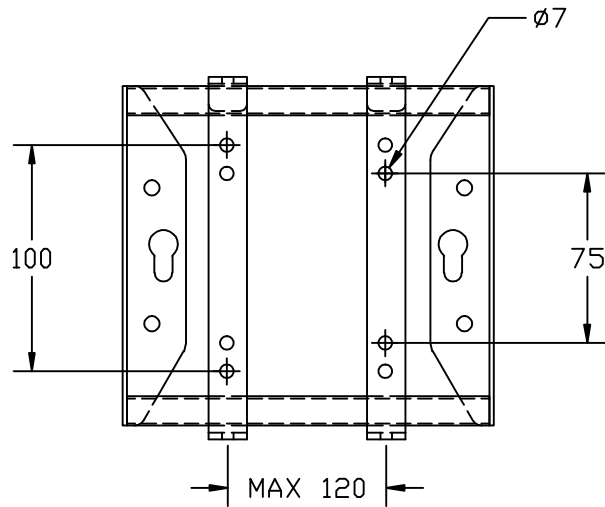
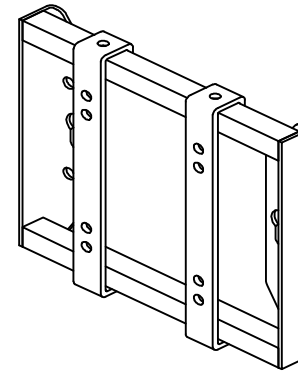
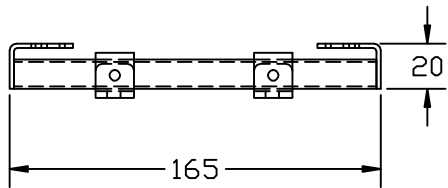


REV	
DATE	
REMARK	UPDATED ON JAN 2011



VISA MOUNTING : 100X100
75X75

XLТ SYSTEMS PTE LTD
SINGAPORE

PART NO.

DRAWN BY : NANG

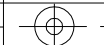
CHECKED BY :

APPROVED BY :

DATE :10/03/09

DRAWING FILE : WL 306

DESCRIPTION : WALL MOUNT LCD BRACKET



SCALE : NTS

UNIT : MM

MATERIAL : MILD STEEL

TREATMENT : POWDER COAT

QUANTITY :

SHEET NO. -