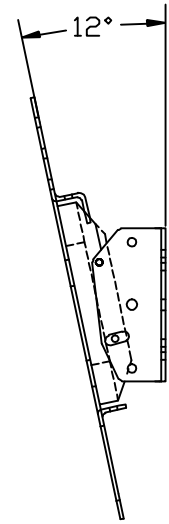
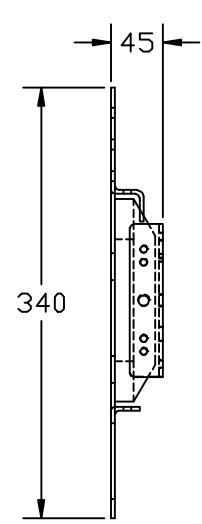
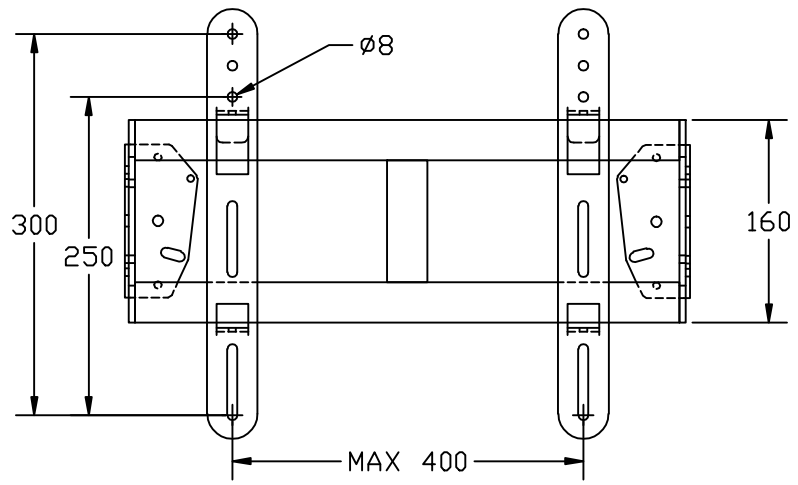
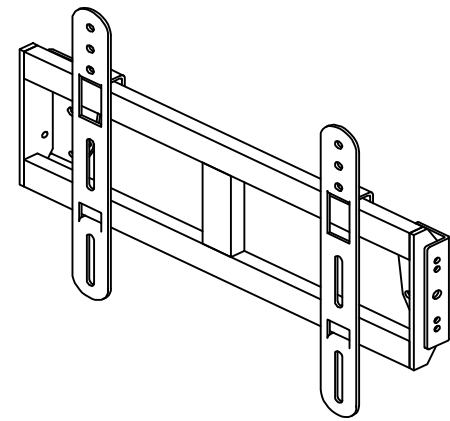
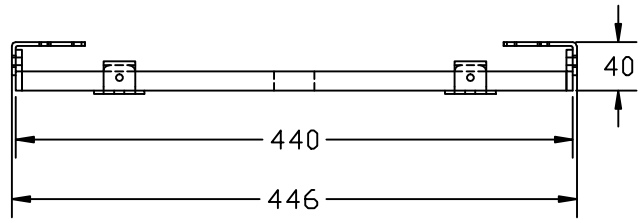


| | |
|--------|---------------------|
| REV | |
| DATE | |
| REMARK | UPDATED ON JAN 2011 |



XLT SYSTEMS PTE LTD
SINGAPORE

| | |
|-----------------|-----------------|
| PART NO. | |
| DRAWN BY : NANG | DATE : 10/01/11 |
| CHECKED BY : | |
| APPROVED BY : | |

| | |
|--------------------------------------|--|
| DRAWING FILE : WL -2637 | |
| DESCRIPTION : WALL MOUNT LCD BRACKET | |
| SCALE : NTS | |
| UNIT : MM | |

| |
|-------------------------|
| MATERIAL : MILD STEEL |
| TREATMENT : POWDER COAT |
| QUANTITY : |
| SHEET NO. - |

