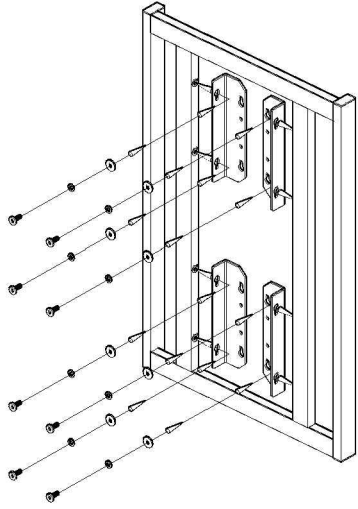


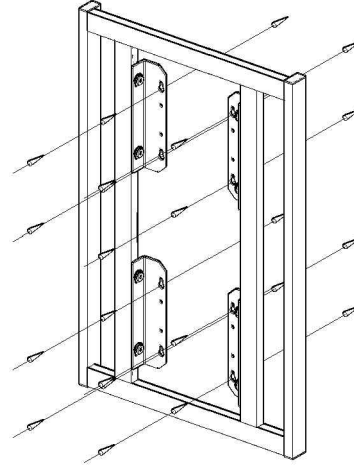


### WP 722 Installation Instructions

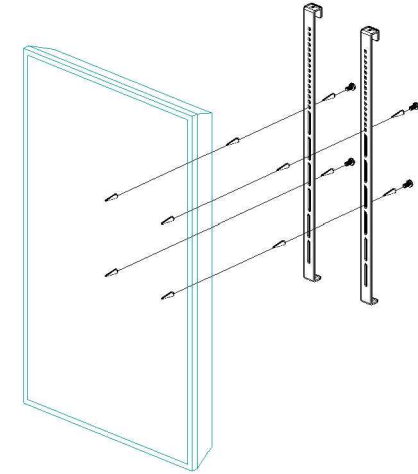
NO MOUNTING MATERIAL IS PROVIDED. PLEASE ENGAGE PROFESSIONAL INSTALLER SHOULD YOU DOKNOW HOW TO INSTALL OR CALL LOCAL DEALER FOR ASSISTANCE. MAKE SURE THAT THE WALL STRUCTURE CAN SUPPORT AT LEAST FOUR TIMES THE TOTAL WEIGHT OF THE BRACKET AND THE PLASMA.



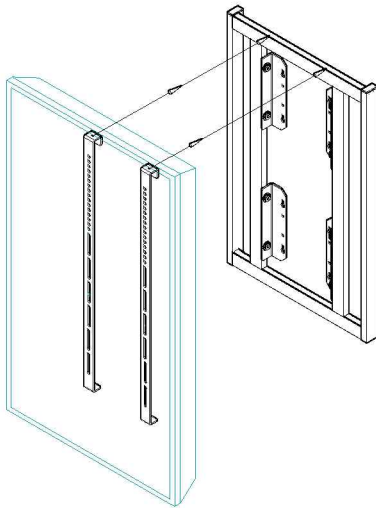
Step 1: Fix the Mounting Plate to the frame.



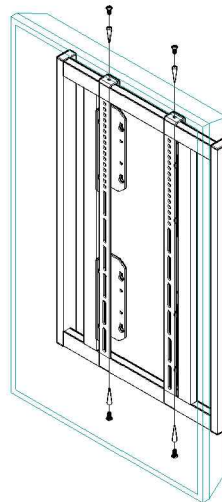
Step 2: Mount the frame to the wall. No mounting screw is provided.



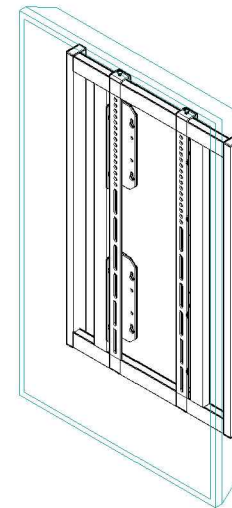
Step 3: Fix the two hooks at the back of the Plasma with the screws provided.



Step 4: Hold the Plasma and place on the wall mounted frame.



Step 5: Tighten the screws. Use the top screws to level if necessary.



Step 6: Please check to ensure that all the screws are securely fasten and the Plasma is in position.