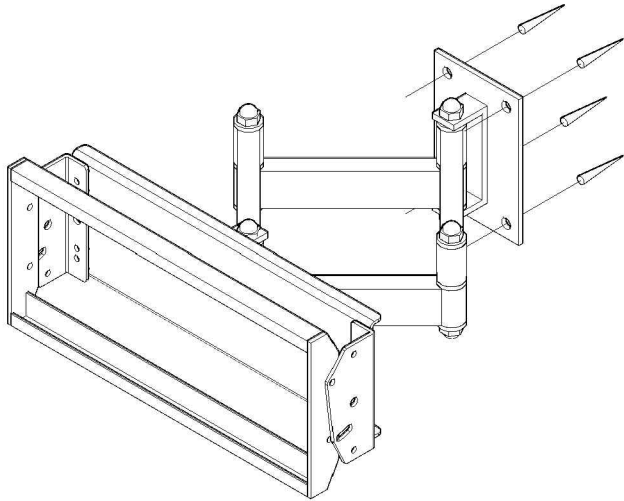


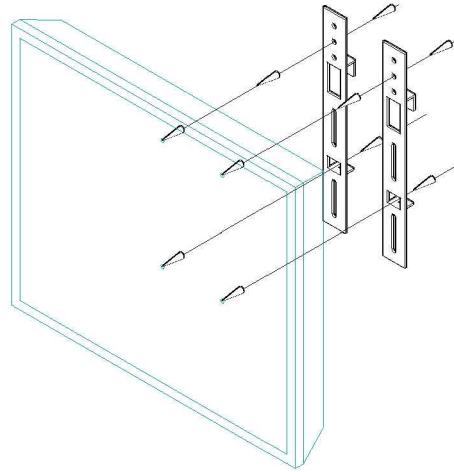


## WL 316 Installation Instructions

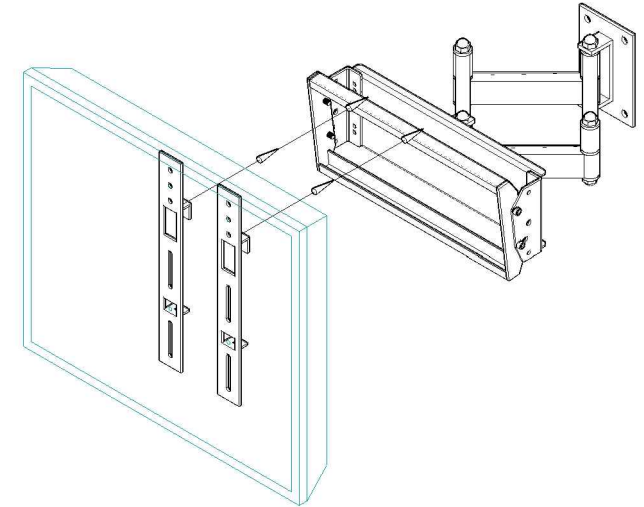
NO MOUNTING MATERIAL IS PROVIDED. PLEASE ENGAGE PROFESSIONAL INSTALLER SHOULD YOU DO NOT KNOW HOW TO INSTALL OR CALL LOCAL DEALER FOR ASSISTANCE. MAKE SURE THAT THE WALL STRUCTURE CAN SUPPORT AT LEAST FOUR TIMES THE TOTAL WEIGHT OF THE BRACKET AND THE LCD DISPLAY.



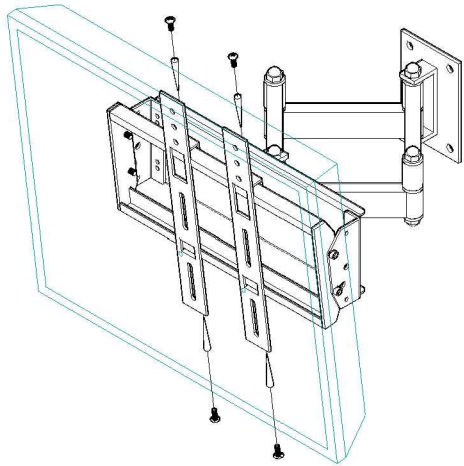
Step 1: Mount the foldable bracket to the wall.  
No mounting screw is provided.



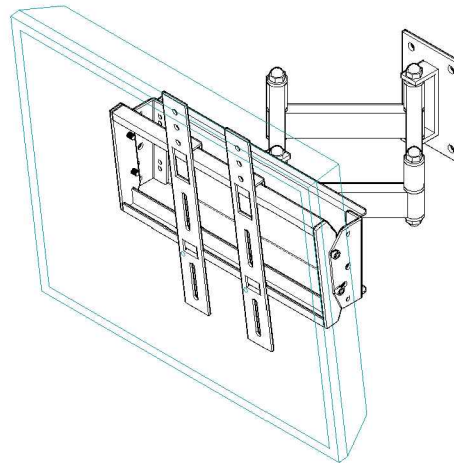
Step 2: Fix the two hooks at the back of the LCD  
with the screws provided.



Step 4: Hold the LCD and hook on the bracket frame.



Step 5: Tighten the screws. Use top screws to level  
if necessary.



Step 6: Please check to ensure that all the screws are  
securely fastened and the LCD is in position.