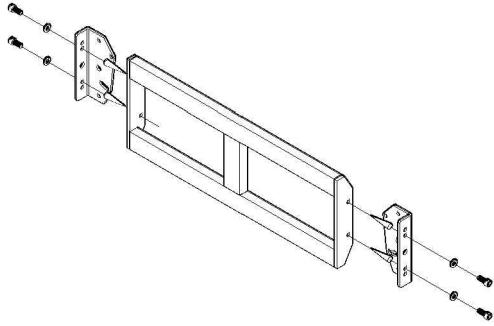




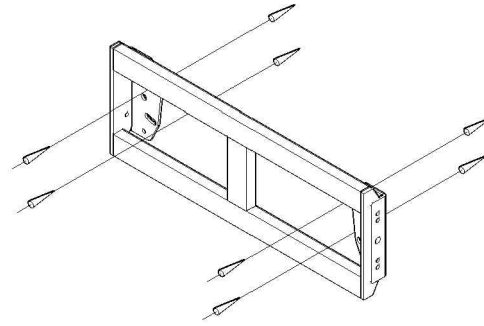
WL 2637 Installation instructions

NO EXPANSION WALL PLUG OR MOUNTING SCREW IS PROVIDED. PLEASE ENGAGE PROFESSIONAL INSTALLER SHOULD YOU DO NOT KNOW HOW TO INSTALL OR CALL LOCAL DEALER FOR ASSISTANCE. MAKE SURE THAT THE WALL STRUCTURE CAN SUPPORT AT LEAST FOUR TIMES THE TOTAL WEIGHT OF THE BRACKET AND THE LCD DISPLAY.

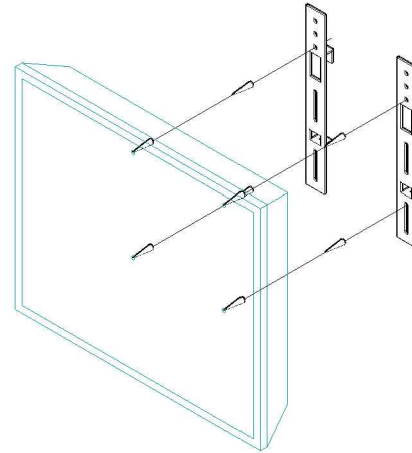
Installation Instructions for Flat Wall Mount



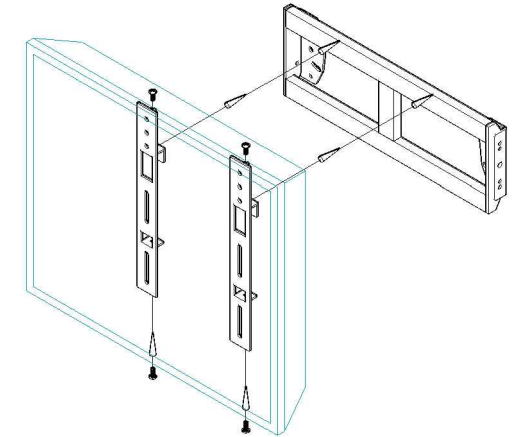
Step 1: Fix the Mounting Plate to the frame.



Step 2: Mount the frame to the wall.

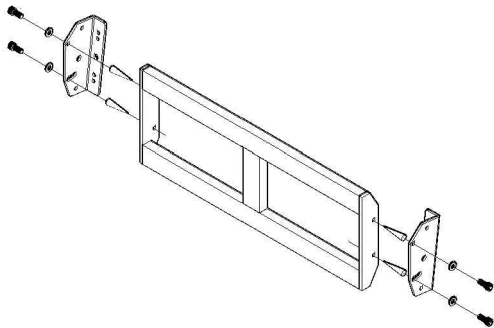


Step 3: Fix the two hooks at the back of the LCD with the screws provided.

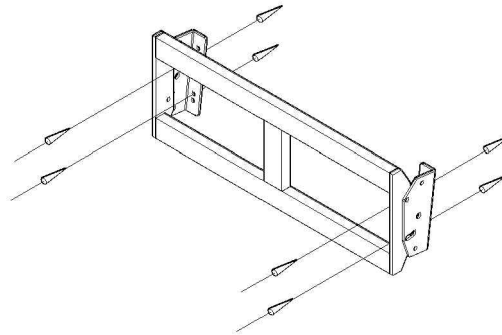


Step 4: Hold the LCD and place on the wall mounted frame and tighten the screws. Use the top screws to level if necessary.

Installation Instructions for Tilt Angle Mount



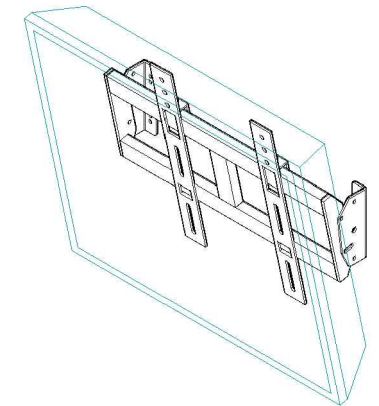
Step 1: Fix the Mounting Plate to the frame.



Step 2: Mount the frame to the wall.

After Step 1 and 2 are done, Please follow the instructions above from step 3 to step 4.

Step 3



Step 4: Hold the LCD and place on the wall mounted frame and tighten the screws. Use the top screws to level if necessary. ensure that all the screws are securely fasten and the LCD is in position.