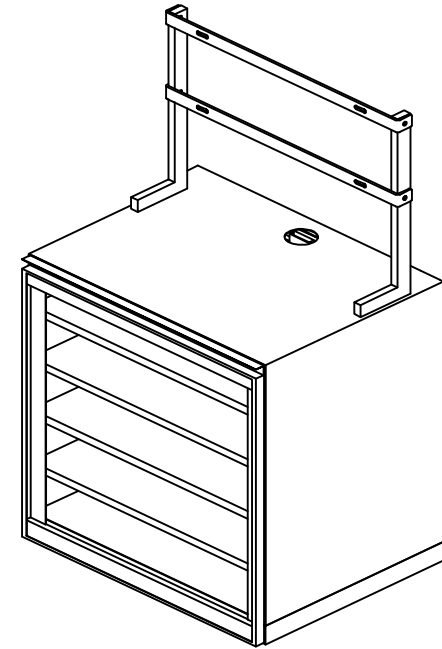
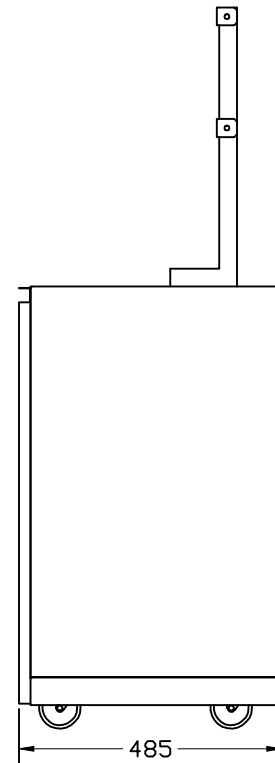
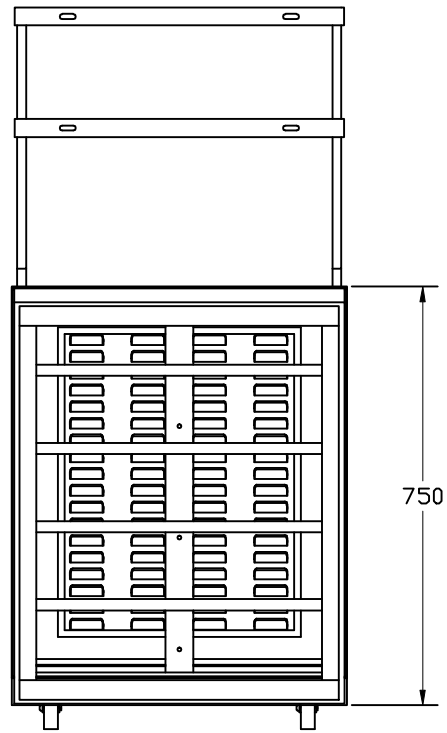
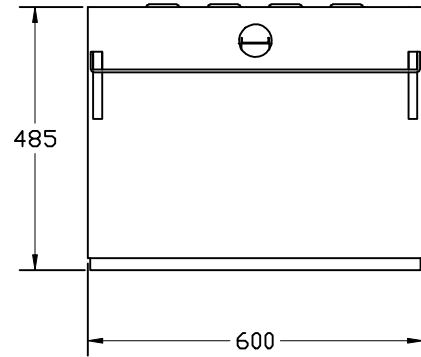


REV	
DATE	
REMARK	UPDATED ON JAN 2011



XLT SYSTEMS PTE LTD
SINGAPORE

PART NO.		DRAWING FILE : DS 5611	MATERIAL : ---
DRAWN BY : NANG	DATE :	DESCRIPTION : VIDEO CONFERENCING CABINET	TREATMENT : --
CHECKED BY :		SCALE : NTS	QUANTITY : -
APPROVED BY :		UNIT : MM	SHEET NO. -

